

NES ADVANTAGE™



<http://www.replacementdocs.com>

Nintendo®

NINTENDO OF AMERICA, P.O. BOX 957, REDMOND, WA 98052

MADE IN TAIWAN

TABLE OF CONTENTS

Section 1	Page
Consumer Assistance Hotline	1
Connecting the NES ADVANTAGE to the Control Deck	2
Operation of the NES ADVANTAGE	3
Care of the NES ADVANTAGE	4
If the NES ADVANTAGE Does Not Operate	4

Section 2	Page
90-Day Limited Warranty	5
Repairs After Expiration Warranty	6
Warranties Limitations	6
NES Consumer Parts List & Order Form	7

Look for this seal on all software and accessories for your Nintendo Entertainment System. It represents Nintendo's commitment to bringing you only the highest quality products. Items not carrying this seal have not been approved by Nintendo, and are not guaranteed to meet our standards of excellence in workmanship, reliability and most of all, entertainment value.



SECTION 1

NES ADVANTAGE INSTRUCTION MANUAL

Congratulations on purchasing the new NES ADVANTAGE joystick, the most advanced joystick available for the NINTENDO ENTERTAINMENT SYSTEM®. It should allow you to get to higher levels, increase your scores, and improve game play.

To play with the NES ADVANTAGE, you need:

- 1) The NINTENDO ENTERTAINMENT SYSTEM.
- 2) Any Nintendo-approved game pak.

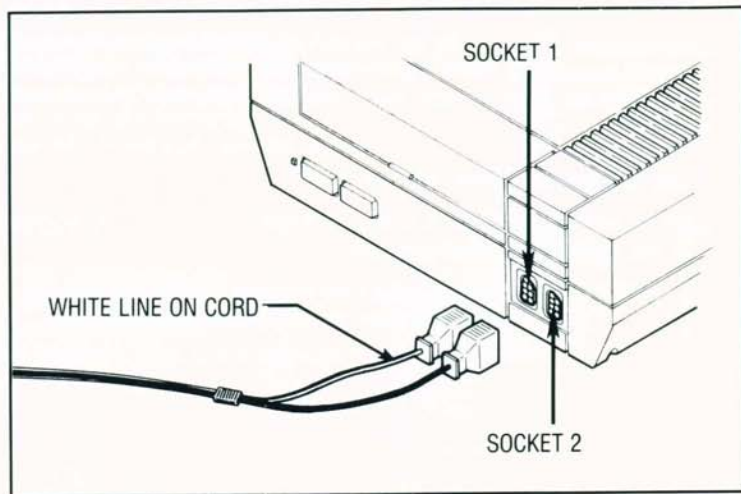
(NOTE: The slow motion feature will not work with the Robot or gun series games and slow motion results may vary with different games.)

NEED HELP?

NINTENDO CONSUMER ASSISTANCE TELEPHONE HOTLINE
(MON to FRI, 8:00 A.M. to 5:00 P.M., PACIFIC TIME)
OUTSIDE WASHINGTON STATE CALL: 1-800-422-2602
INSIDE WASHINGTON STATE CALL: (206) 882-2040

NINTENDO OF AMERICA INC.
© 1987 NINTENDO

CONNECTING THE NES ADVANTAGE TO THE CONTROL DECK



■ IMPORTANT —

Insert connector with white stripe on cord into controller socket #1

Insert remaining connector into socket #2

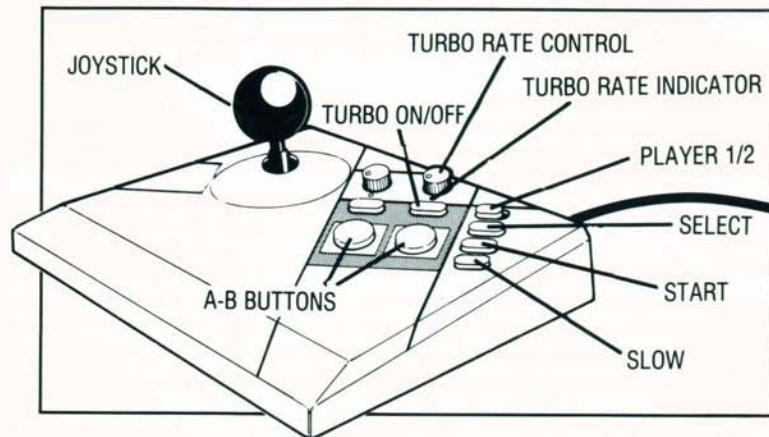
For simultaneous two-player games like **BASEBALL**, use one of the NES game controllers for the second player. Or another NES Advantage Joystick.

Connecting two **NES ADVANTAGE** joysticks:

Insert the first joystick's connector with the white stripe on its cord into controller socket #1.

Insert the other joystick's connector with the unstriped cord into controller socket #2.

OPERATION OF THE NES ADVANTAGE



JOYSTICK — Works the same as the control pad on the NES game controllers.

TURBO RATE CONTROL — The NES Advantage Joystick is equipped with adjustable "Turbo" controls which work like an automatic "Rapid Fire". To activate the Turbo feature for either the A or B button, first push the Turbo On/Off button to the Down position (press again to turn off in the Up position.) Then hold the A or B button Down and adjust the Turbo rate while playing a game. The Turbo rate indicator will flash according to the rate. For best results, adjust the Turbo rate control for each game being played.

SELECT AND START — Works the same as on the NES game controllers.

PLAYER 1/2 SWITCH — On most games, two players can share the NES Advantage Joystick. Put the Player 1/2 switch to "1 Player" while the first player plays. When the game turn ends, flip the switch to "2 Player" and the second player can then use the Joystick.

NOTE: For simultaneous 2 player games like Baseball or Mario Bros., use one of the controllers that comes with the NES for the second player. Plug the NES Advantage into socket #1 using only the plug with the white line, and set the Player 1/2 switch to "1 Player". Then plug the controller into socket #2.

NOTE: If you are using two NES Advantage Joysticks, switch one to "1 Player" and plug the connector with the white cord into controller socket #1. Then switch the second NES Advantage Joystick to "2 Player" and plug that Joystick into controller socket #2 using the plug without the white line.

SLOW — Push the Slow button to the Down position to activate the Slow Motion. Use this feature to get through difficult portions of games where the action gets too fast. Push the Slow button again (Up position) to turn it off.

NOTE: Because each game is different, the Slow Motion feature may not work well with all of them. It does not work with the Robot or Gun Series game paks. And it will only work for the first player while switching between "1 player" and "2 player".

PROPER CARE OF THE NES ADVANTAGE

Avoid exposure to high temperature, humidity, or severe shocks.

Keep in a clean, dry place. Water or foreign substances in connector or joystick will adversely affect operation.

Use a soft damp cloth to remove any stains. Do not use abrasives, alcohol or solvents to clean.

When disconnecting the NES Advantage from the Control Deck, grasp the connector and pull. Do not pull on the cord as damage may result.

TROUBLESHOOTING

SITUATION: The joystick doesn't work at all.

POSSIBILITY: The connectors are not properly connected. The connectors may be in the wrong sockets. The 1P/2P switch may be set incorrectly. Try both positions.

SITUATION: Rapid fire (Turbo) is not working.

POSSIBILITY: The game is not working. Turbo rate is not adjusted properly. Turbo feature is not turned on.

SECTION 2

90-DAY LIMITED WARRANTY NES ADVANTAGE

90-DAY LIMITED WARRANTY

Nintendo of America Inc. ("Nintendo") warrants to the original consumer purchaser that this NES Advantage shall be free from defects in material and workmanship for a period of 90 days from the date of purchase. If a defect covered by this warranty occurs during this 90-day warranty period, Nintendo will repair or replace the defective NES Advantage or component part, at its option, free of charge.

To receive this warranty service:

- 1) DO NOT return your defective merchandise to the retailer.
- 2) Notify the Nintendo Consumer Service Department of the problem requiring warranty service by calling: Outside Washington State (800) 422-2602, or Inside Washington State (206) 882-2040. Our Consumer Service Department is in operation from 8:00 A.M. to 5:00 P.M. Pacific Time, Monday through Friday.
- 3) If the Nintendo service representative is unable to solve the problem by phone, he will provide you with a Return Authorization number. Simply record this number on the outside packaging of your defective NES Advantage, and return your NES Advantage freight prepaid, insured for loss or damage, together with your sales slip or similar proof-of-purchase within the 90-day warranty period, to:

Nintendo of America Inc.
NES Consumer Service Department
4820-150th Avenue N.E.
Redmond, WA 98052

This warranty shall not apply if the NES Advantage has been damaged by negligence, accident, unreasonable use, modification, tampering, or other causes unrelated to defective materials or workmanship.

REPAIRS AFTER EXPIRATION WARRANTY

If the NES Advantage develops a problem requiring service after the 90-day warranty period, you may contact the Nintendo Consumer Service Department at the phone number provided. If the Nintendo service representative is unable to solve the problem by phone, he may advise you of the approximate cost for Nintendo to repair or replace the NES Advantage and may provide you with a Return Authorization number.

You may then record this number on the outside packaging of the defective NES Advantage and return the defective merchandise, freight prepaid, insured for loss or damage, to Nintendo, and enclose a money order payable to Nintendo of America Inc. for the cost quoted you.

If after personal inspection, the Nintendo service representative determines the NES Advantage cannot be repaired, it will be returned and your payment refunded.

WARRANTIES LIMITATIONS

ANY APPLICABLE IMPLIED WARRANTIES, INCLUDING WARRANTIES OF MERCHANTABILITY AND FITNESS FOR A PARTICULAR PURPOSE, ARE HEREBY LIMITED TO NINETY DAYS FROM THE DATE OF PURCHASE AND ARE SUBJECT TO THE CONDITIONS SET FORTH HEREIN. IN NO EVENT SHALL NINTENDO BE LIABLE FOR CONSEQUENTIAL OR INCIDENTAL DAMAGES RESULTING FROM THE BREACH OF ANY EXPRESS OR IMPLIED WARRANTIES.

The provisions of this warranty are valid in the United States only. Some states do not allow limitations on how long an implied warranty lasts or exclusion of consequential or incidental damages, so the above limitation or exclusion may not apply to you. This warranty gives you specific legal rights, and you may also have other rights which vary from state to state.

NES ADVANTAGE CONSUMER PARTS LIST & ORDER FORM

Nintendo Part No.	Part Name	Price	Quantity	Amount of Purchase
5581	JOYSTICK KNOB	3.00		
5582	TURBO RATE ADJUSTMENT KNOB	1.00		
SUBTOTAL				
WASHINGTON STATE RESIDENTS ADD 8.1% SALES TAX				
POSTAGE & HANDLING (\$2 for orders of \$4 or more, 50¢ for orders of less than \$4)				
TOTAL AMOUNT DUE				

To Order By Phone (Requires VISA or MASTERCARD)

Outside Washington State Call: 1-800-422-2602 } 8:00 A.M. to 5:00 P.M.
Inside Washington State Call: (206) 882-2040 } Pacific Time (MON. to FRI.)
Please have your VISA or MASTERCARD card number and expiration date ready.

To Order By Mail

1. Please complete the following:

Name _____ Phone (____) _____
Street Address _____
City _____ State _____ Zip _____

2. **Enclose Money Order or Credit Card Authorization for total amount due.**

If paying by VISA or MASTERCARD:

Please charge total amount due of \$ _____ to my:
(VISA OR MC?) _____ Expiration Date _____
CARD # _____
Name on Card (Print) _____
SIGNED _____

3. Mail to: Nintendo of America Inc.
4820-150th Avenue N.E., Redmond, WA 98052

Allow 6-8 weeks for delivery. We cannot accept cash, personal checks, or C.O.D. orders. Prices are applicable within the United States only and are subject to change without notice.